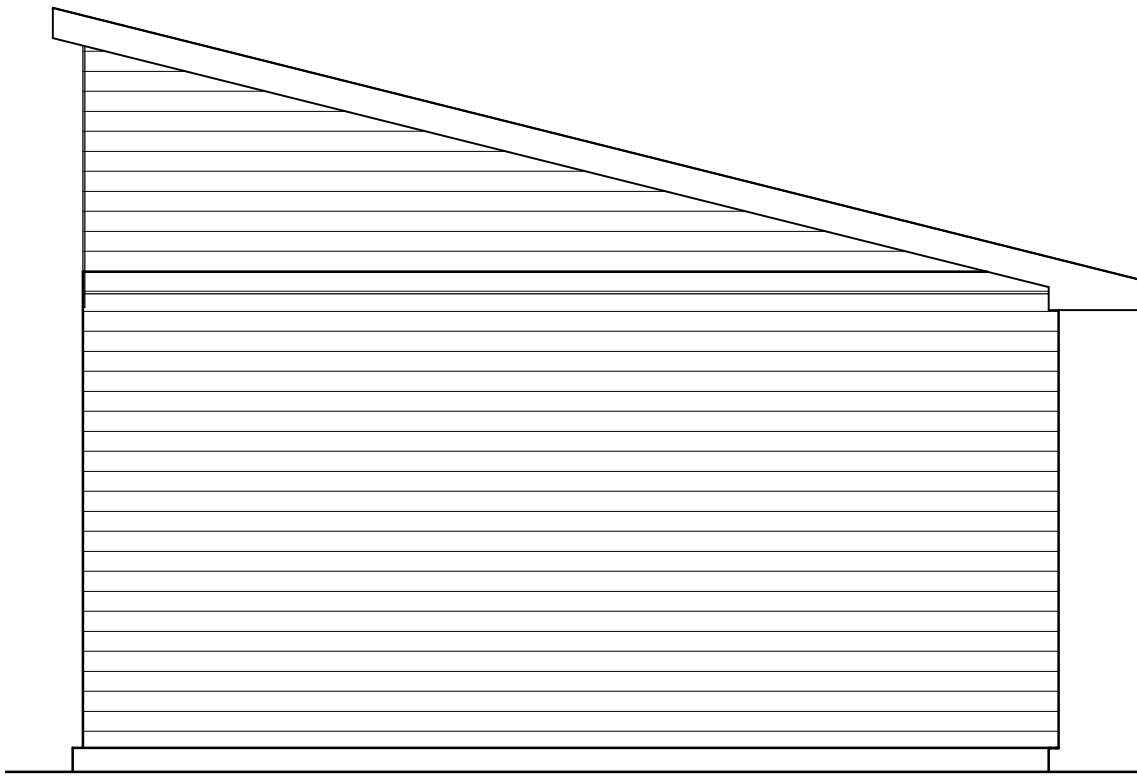


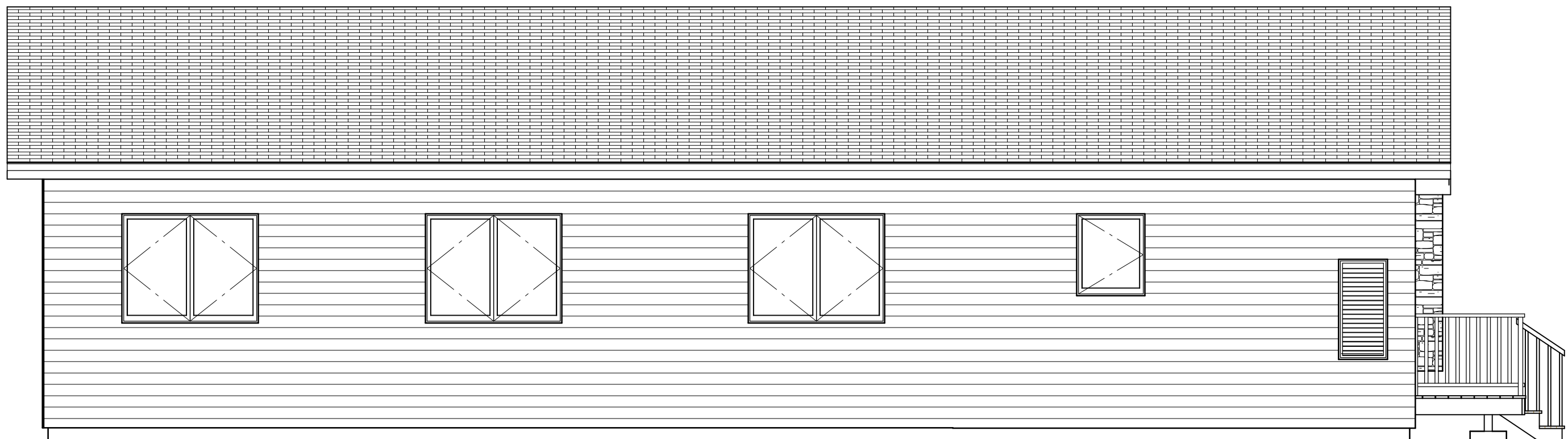
Front Elevation 1/4"=1'



Rear Elevation 1/4"=1'

DakotaPlex  
3-Bedroom LH

DakotaPlex 3-Bedroom LH



Left Elevation 1/4"=1'

Window Schedule		
Type	R.O Size	Style
A	60"x48"	Casement
B	30"x36"	Casement
C	72"x60"	Triple Casement

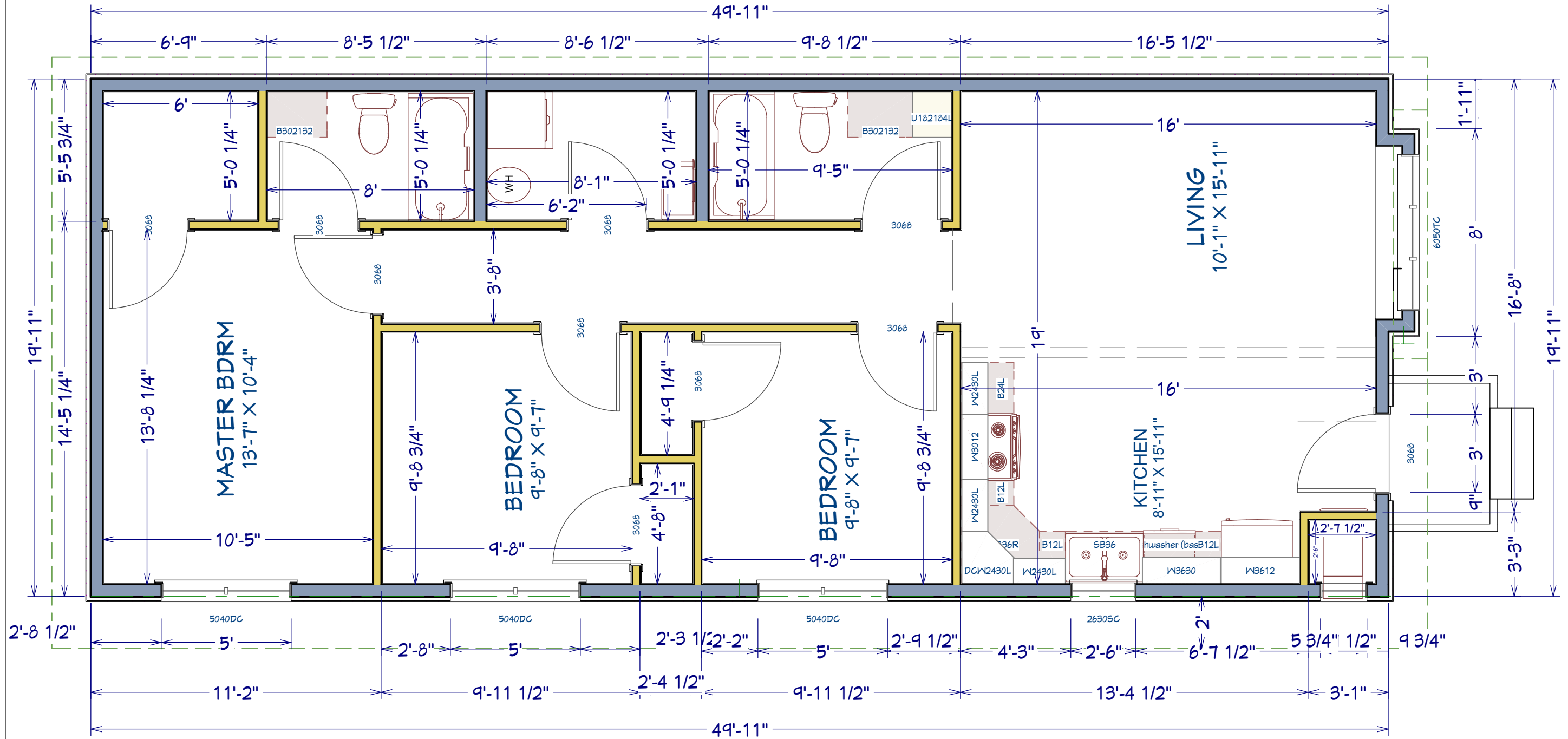
Door Schedule			
Type	Size	R.O. Size	Style
A	3'-0"x6'8"	38 1/2"x82 1/2"	Ins. Steel w/ Lite
B	3'-0"x6'8"	38 1/2"x82 1/2"	Wood Passage
C			
D			

DakotaPlex  
3-Bedroom LH

DakotaPlex 3-Bedroom LH

DESIGN BY:  
Mike Harsma

5/3/2021



### Main Floor

1000 sq ft

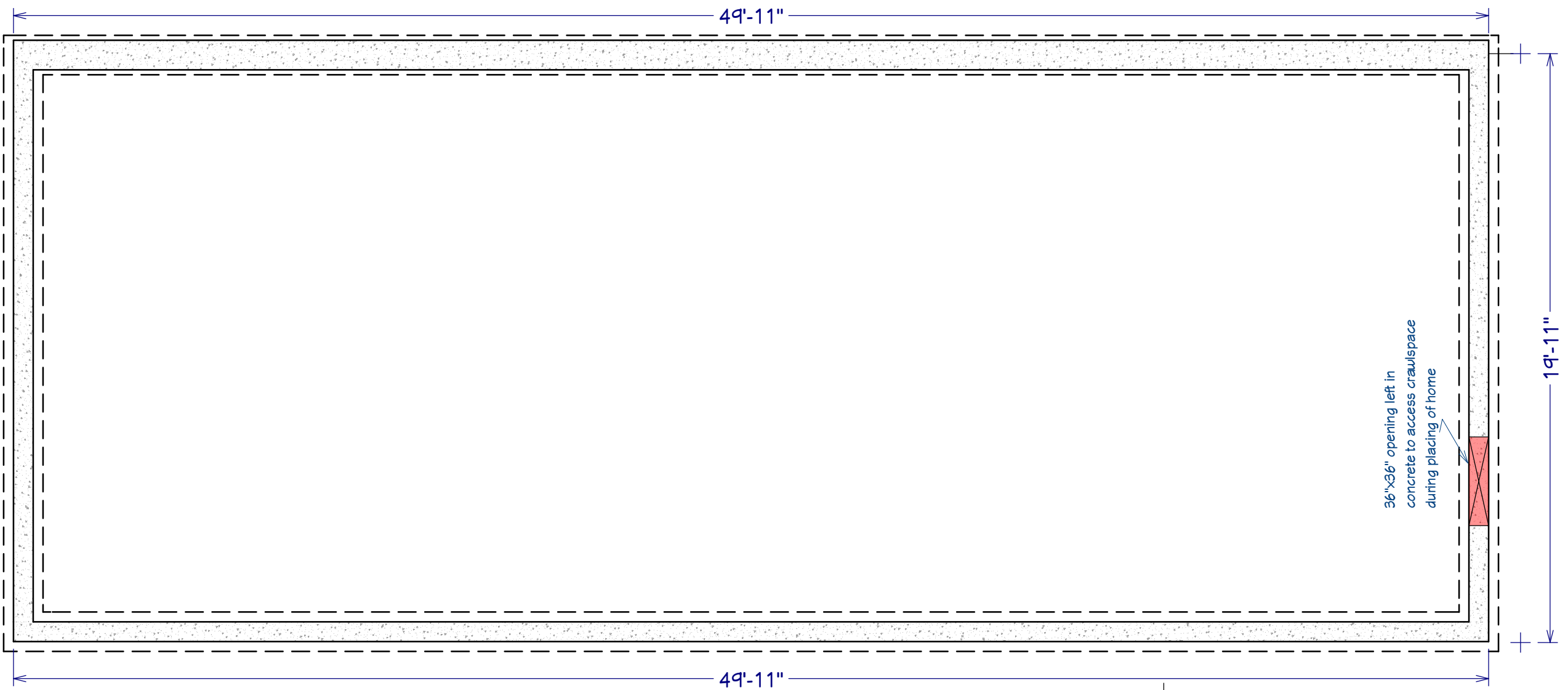
Dimensions are Framing Dimension. Verify surface dimension upon ordering 1/4" = 1'

**DakotaPlex**  
**3-Bedroom LH**

**DakotaPlex 3-Bedroom LH**

DESIGN BY:  
Mike Harsma

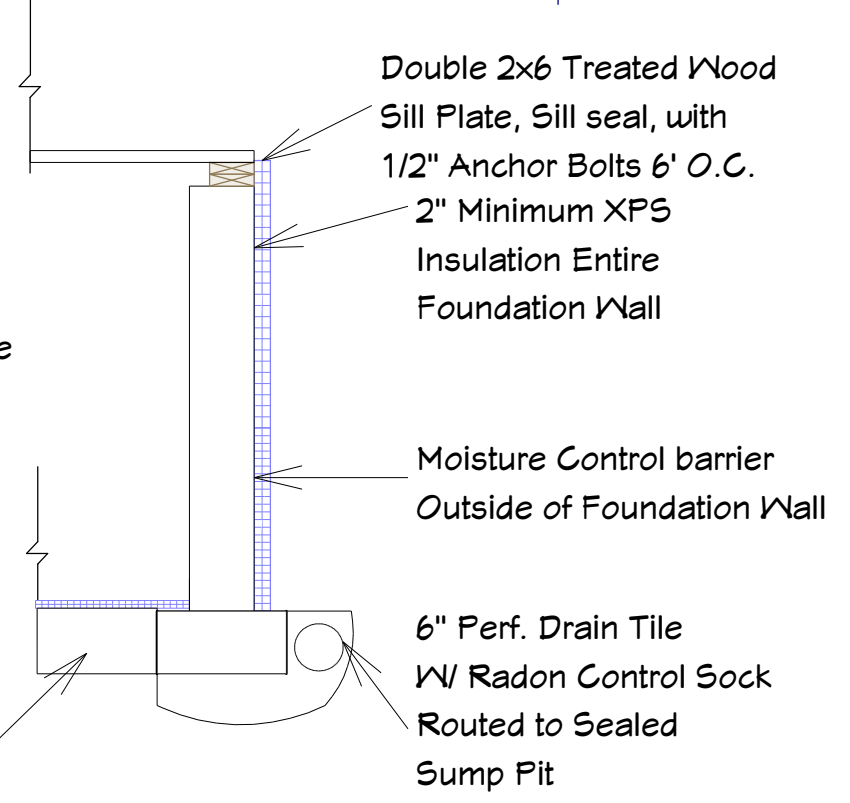
5/3/2021



### Crawlspace lay-out

**General Notes:**  
 These Plans are meant to be a guide for foundation construction only. Because local codes and conditions vary widely across the state, owner/contractor should consult with local code officials and verify soil conditions prior to beginning work. Wall dimensions, blocking locations, reinforcement type and footing details could change substantially from location to location.

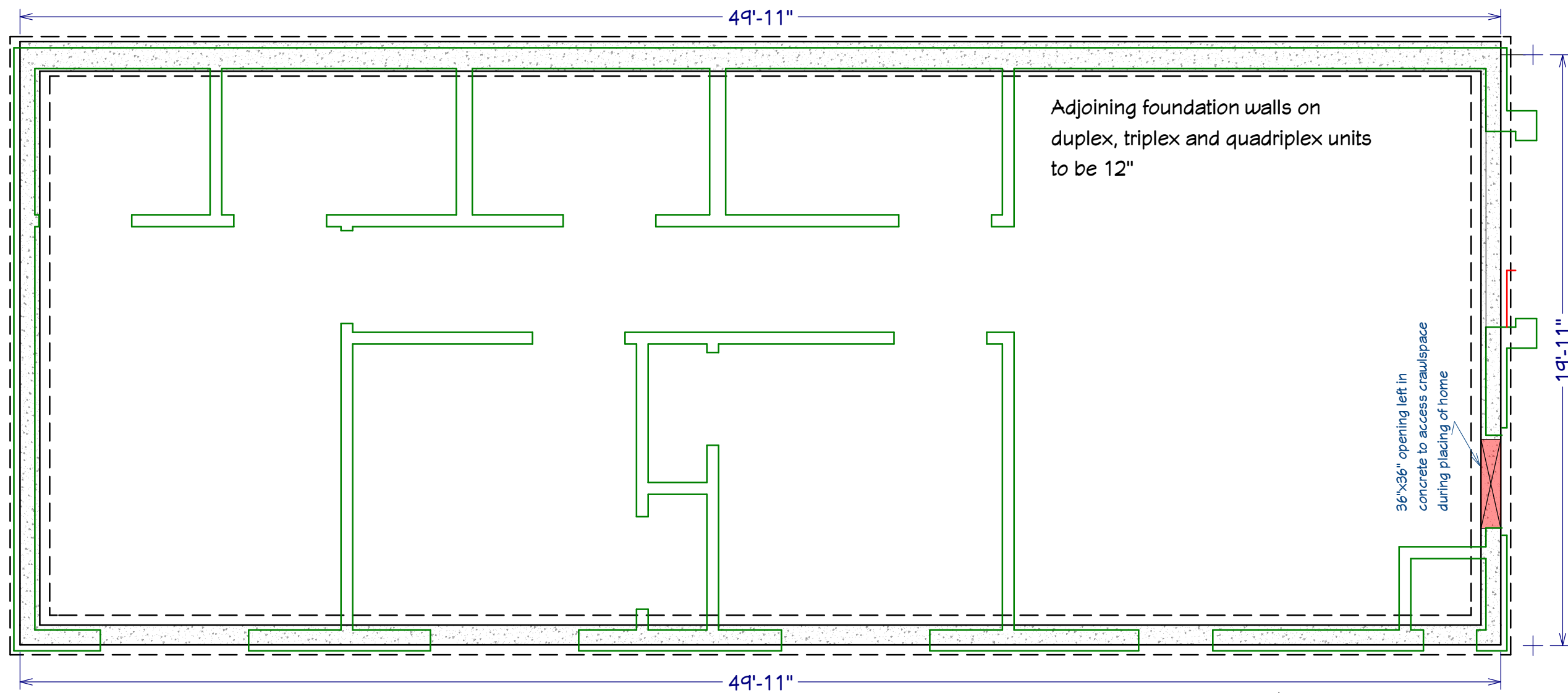
Note: Insulated and sealed crawlspaces should NOT have added ventilation but should be treated as a conditioned area. Supply air = to 1CFM per 50CFT of volume should be routed from the existing main floor duct system through the main floor Heat Recovery Ventilator



6mil Poly Vapor Barrier Entire Crawlspace Floor  
 Min. 1" XPS Insulation 4' Entire Perimeter

### Crawlspace Wall detail

**DakotaPlex**  
**3-Bedroom LH**



**General Notes:**

These Plans are meant to be a guide for foundation construction only. Because local codes and conditions vary widely across the state, owner/contractor should consult with local code officials and verify soil conditions prior to beginning work. Wall dimensions, blocking locations, reinforcement type and footing details could change substantially from location to location.

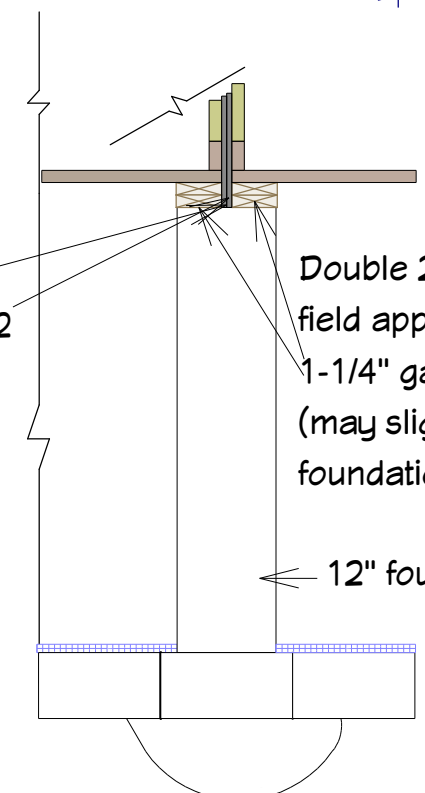
**Note:**

The DakotaPlex is designed to be placed on an insulated and sealed basement. It should be treated as a conditioned area. Supply air = to 1CFM per 50 CFT of volume should be routed to the area

5x8 Type X Gypsum sheathing  
1 layer each unit for 2 layers  
Applied by SDHDA

Double 2x6 PT plate field applied to leave 1-1/4" gap (may slightly overhang foundation)

12" foundation wall



**DakotaPlex**  
**3-Bedroom LH**

**DakotaPlex Common Foundation Wall**